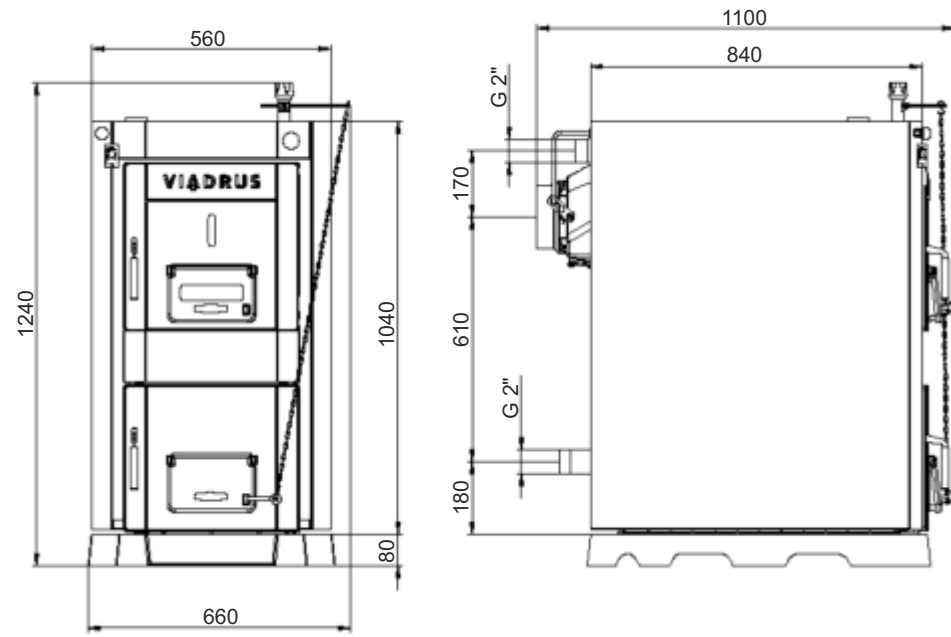


HERCULES U 32

Hercules U 32 – technical drawing



Your seller



VIADRUS

VIADRUS a.s.
Bezručova 300 | 735 81 Bohumín
Czech Republic
phone: +420 596 083 050
fax: +420 596 082 822
mail: info@viadrus.cz
► www.viadrus.cz

PYROLYTIC CAST-IRON BOILER | MANUAL LOADING

VIADRUS

Heating your home
since 1888

Hercules U 32

Pyrolytic cast-iron boiler for burning of wood and coal

Hercules U 32 is a pyrolytic cast-iron boiler with manual loading design for ecological burning of wooden logs, soft coal and hard coal.

The design of the fire box allows burning of fuel with natural draught of flue gases without a draught fan.

Boiler block construction together with connection thread size allows to work in heating systems with natural heating water circulation.

Output range (according to fuel):
18-20 kW



Advantages:

- wood logs: emission class 3 of EN 303-5 standard
- soft coal: emission class 4 of EN 303-5 standard
- hard coal: emission class 5 of EN 303-5 standard
- wood and coal burning efficiency up to 89%
- long life of the Czech-made cast-iron heat exchanger
- water-cooled fixed grates
- low demands for chimney draught (approx. 20-25 Pa)
- possibility of natural circulation operation
- easy attendance and maintenance
- threaded flanges for easy installation
- low flue gas temperature (approx. 120-160 °C)
- operation independent of electric power supply
(without forced exhaust of flue gases and without a circulation pump)



Technical specifications

Number of sections	pcs	7		
		hard coal	soft coal	wood
Fuel	•	hard coal	soft coal	wood
Boiler class according to EN 303-5	•	5	4	3
Rated output	kW	18	18	20
Efficiency	%	88,8	82,6	86,5
Fire chamber depth	mm	480		
Fire chamber volume	kg	16	16	12
Fuel consumption at rated output	kg/hour	3,0	3,7	5,1
Flue gases temperature at rated output	°C	120~160		
Dimensions - height × width × depth	mm	1160 × 560 × 840		
Weight	kg	472		
Chimney connection diameter	mm	156		
Chimney draught	Pa	25	25	20
Water volume	l	52,5		
Working range of heating water temperature	°C	60~80		
Return water minimum temperature	°C	60		
Heating / return water connection	•	2"		
Working / testing water overpressure	kPa	400 / 800		
Noise level	dB	<65 dB (A)		